

# Block Dimensions Classic 8

## General Information

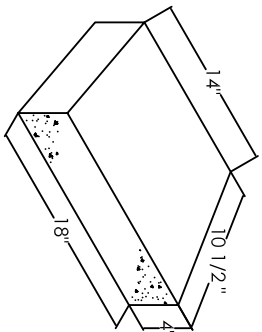
Absorption... Meets or exceeds ASTM C90-75 standards.  
 Compressive strength... 3000 PSI (approximate minimum) (unless otherwise specified)  
 Composition... High strength, high density, "v" slump concrete

## Unit Information

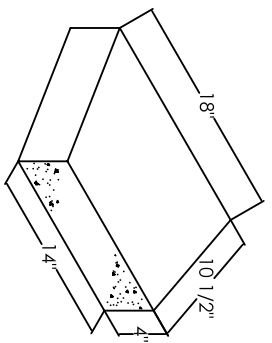
Bevered Classic Unit:  
 8 1/4" X 18" W X 12"D, 78 Lbs. Approx. . . . . 1,00 Sq. Ft. Face  
 Straight Classic Unit:  
 8 1/4" X 18" W X 12"D, 78 Lbs. Approx. . . . . 1,00 Sq. Ft. Face  
 Colonial 18 Unit:  
 8 1/4" X 18" W X 12"D, 78 Lbs. Approx. . . . . 1,00 Sq. Ft. Face  
 Colonial 6/12 Unit:  
 8 1/4" X 6 1/2" W X 12"D, 78 Lbs. Approx. . . . . 1,00 Sq. Ft. Face  
 Universal Cap  
 4 1/4" X 18" W, Front and 4 1/4" X 14" W Back, 54 Lbs. Approx.  
 0.50 Sq. Ft. Front, 0.35 Sq. Ft. Back  
 Average uniting length: 16" (see installation manual)

## Face Options

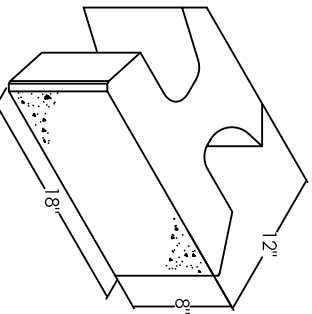
Face Patterns . . . . . Beveled Spill Face  
 . . . . . Straight Spill Face  
 . . . . . Colonial Spill Face



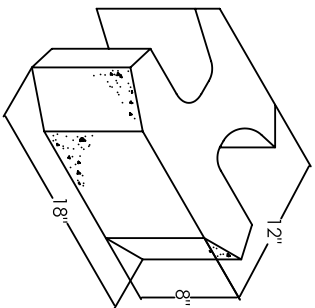
Universal Cap - front



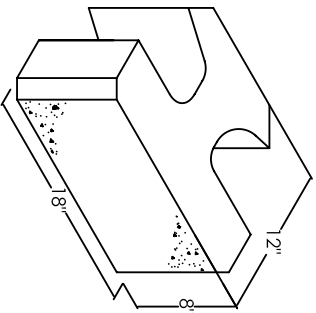
Universal Cap - Back



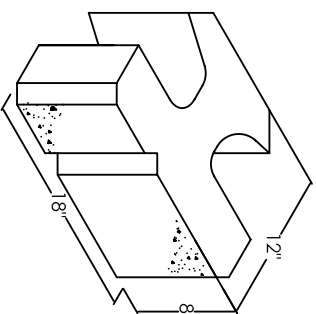
Classic 8 Unit (Straight)



Classic 8 Unit (Beveled)



Classic 8 Colonial (18 Unit)



Classic 8 Colonial (6/12 Unit)

This drawing is furnished for preliminary design purposes only, and should not be used for final design drawings or construction drawings without the certification of a professional engineer registered in the state in which the wall will be constructed.

No.	Date	Revision	By



Legend

	Ingenierdie Compacted fill
	Native Soil
	3/4" Caulfied Stone
	Landing Pad
	Geogrid

Project Name: Block Dimensions

Project Location:	XX
Sheet # of \$:	YY

Prepared for: CCC  
 Designer: DDD  
 Date: MM/DD/YYYY  
 Project Number: WWWPRO#